

BOX SCORE: *** FINAL ***

Date: 03-14-90 Site: Girls Sweet Sixteen; B.G. Attendance: 3,345

Team: DuPont Manual

NO.	NAME	TOTAL FG		3-POINT		FT	FTA	REB				PF	TP	A	TO	BLK	S	TIME
		FG	FGA	FG	FGA			O	D	T	T							
43	Doyle, Gwen	10	21	0	0	0	4	1	2	3	4	20	5	3	0	6	31:18	
54	Jackson, Erica	3	8	0	0	0	0	0	1	1	0	6	1	3	1	0	32:00	
55	Williams, Sam.	5	11	0	3	0	0	2	11	13	2	10	6	5	0	3	32:00	
33	Smith, Taneka	0	1	0	0	0	0	1	0	1	4	0	0	2	0	0	21:20	
35	Ederheimer, S.	6	7	0	0	0	0	2	4	6	2	12	0	0	0	0	32:00	
10	Baker, Marlyce	0	0	0	0	0	0	0	1	1	0	0	0	0	0	0	10:40	
30	Haller, Sandy	0	0	0	0	0	0	0	0	0	0	0	0	0	0	0	0:42	
TEAM																		
TOTALS		24	48	0	3	0	4	6	19	25	12	48	12	13	1	9	160	

3 Deadball Rebounds

Percentages:	Game-----	FG	24/ 48	50.0%	3-PT.	0/ 3	0.0%	FT	0/ 4	0.0%
	Period 1		6/ 13	46.2%		0/ 1	0.0%		0/ 2	0.0%
	Period 2		6/ 11	54.5%		0/ 1	0.0%		0/ 0	0.0%
	Period 3		9/ 17	52.9%		0/ 1	0.0%		0/ 1	0.0%
	Period 4		3/ 7	42.9%		0/ 0	0.0%		0/ 1	0.0%

Team: Fleming-Neon

NO.	NAME	TOTAL FG		3-POINT		FT	FTA	REB				PF	TP	A	TO	BLK	S	TIME
		FG	FGA	FG	FGA			O	D	T	T							
33	Amburgy, Angie	1	4	0	0	0	0	2	0	2	0	2	0	1	0	0	14:11	
35	Vance, Jennifer	6	13	0	0	2	2	2	2	4	1	14	3	1	0	3	32:00	
43	Jones, Mari	5	10	0	0	2	4	0	11	11	2	12	2	1	0	0	32:00	
00	Watko, Heather	1	6	0	0	0	0	1	1	2	0	2	3	2	0	0	32:00	
23	Kincer, Beth	5	6	0	0	3	3	0	2	2	3	13	6	6	0	0	32:00	
25	Sturgill, Melody	1	2	0	0	2	2	0	1	1	2	4	1	2	0	1	17:49	
TEAM																		
TOTALS		19	41	0	0	9	11	5	18	23	8	47	15	13	0	4	160	

1 Deadball Rebounds

Percentages:	Game-----	FG	19/ 41	46.3%	3-PT.	0/ 0	0.0%	FT	9/ 11	81.8%
	Period 1		5/ 10	50.0%		0/ 0	0.0%		0/ 0	0.0%
	Period 2		5/ 8	62.5%		0/ 0	0.0%		4/ 4	100.0%
	Period 3		4/ 11	36.4%		0/ 0	0.0%		1/ 2	50.0%
	Period 4		5/ 12	41.7%		0/ 0	0.0%		4/ 5	80.0%

OFFICIALS: Jackie Cupp, Kenneth Wilson, Alt. -P. Tucker

SCORE BY PERIODS

Technical: None

DuPont Manual	12	12	18	6	=	48
Fleming-Neon	10	14	9	14	=	47

Player	Team	Fleming-Moon	Time	Score	DeFont Manual	Player	Team
Jones, Mari, Kincer, Beth, Matko, Heather, Amburgy, Angie, Vance, Jennifer Ball to Lady Pirates			Boyle, Gwen, Jackson, Erica, Williams, Sam, Smith, Taneke, Ederheimer, S.				
		REB: 17 A: 11 BLK: 0 TD: 12 PF: 4 S: 3 FT: 5-6 83.3% FG: 14-22 63.7%	4 5:24	33-44*	4 ft Lane Turnaround by Ederheimer, S. Assist by Boyle, Gwen	5-5	100% 22-42 52.3% 3 10
		REB: 22 A: 10 BLK: 1 TD: 9 PF: 2 S: 3 FT: 0-3 00.0% FG: 22-43 51.1%	4 5:34		No. 3 Fleming-Moon TIME - O U T		
4-6	50.0%	15-23 45.4%	7 ft Left Side Turnaround by Jones, Mari Assist by Vance, Jennifer	4 5:25	*33-44		
5-3	55.5%	16-34 47.0%	6 ft Lane Jump shot by Jones, Mari Assist by Kincer, Beth	4 4:52	*37-44		
4-4	100%	17-35 48.5%	16 ft Left Base Line Jump shot by Kincer, Beth Assist by Vance, Jennifer	4 4:33	37-46*	Turnaround Layup by Jackson, Erica Assist by Boyle, Gwen	3-5 37.5% 23-45 51.1% 4 11
		REB: 21 A: 14 BLK: 0 TD: 12 PF: 4 S: 3 FT: 5-6 83.3% FG: 17-37 45.9%	4 3:33		Foul on Smith, Taneke	4	3
			4 3:33		Sub In: Baker, Marlyce Out: Smith, Taneke		
			4 3:13		Foul on Ederheimer, S.	1	4
			4 3:02		Foul on Ederheimer, S.	2	3
		REB: 22 A: 11 BLK: 1 TD: 9 PF: 5 S: 3 FT: 0-3 00.0% FG: 23-45 50.0%	4 3:02		No. 3 DeFont Manual TIME - O U T		
2-2	100%	7-8 87.5%	Vance, Jennifer 1 & Bonus - made both	4 3:02	*41-46		
2-4	50.0%	8-10 80.0%	Jones, Mari 1 & Bonus - made 1st missed 2nd Steal by Vance, Jennifer	4 2:16	*42-46	Foul on Boyle, Gwen	4 6
5-10	50.0%	17-33 51.5%	7 ft Left Side Turnaround by Jones, Mari, missed	4 1:55		Bad Pass by Williams, Sam.	5 12
5-6	83.3%	18-43 41.9%	Driving Layup by Kincer, Beth, made	4 1:42		Rebound by Williams, Sam.	5-1 Tot-1 0-1 Tot-25 6-7 85.7% 24-47 51.0%
3-3	100%	9-11 81.8%	Kincer, Beth 1 Free Throw - made	4 1:25	*42-48*	Turnaround Layup by Ederheimer, S., made Assist by Boyle, Gwen	3 12
5-1 Tot-1	0-1 Tot-22		Rebound by Jones, Mari	4 1:14	*44-48		
6-12 45.1%	19-41 46.3%		6 ft Lane Jump shot by Vance, Jennifer, made Assist by Jones, Mari	4 1:14	*45-48	Foul on Williams, Sam.	2 7
		REB: 22 A: 15 BLK: 0 TD: 12 PF: 4 S: 4 FT: 9-11 81.8% FG: 19-41 46.3%	4 1:06		Layup Off Fast Break by Boyle, Gwen, missed	10-21 47.6% 24-48 50.0%	
			4 1:04				
		REB: 25 A: 12 BLK: 1 TD: 12 PF: 7 S: 3 FT: 0-3 00.0% FG: 24-48 50.0%	4 0:47		No. 4 DeFont Manual TIME - O U T		
			4 0:41		Traveling Violation on Boyle, Gwen	3 13	
		REB: 23 A: 12 BLK: 0 TD: 12 PF: 4 S: 4 FT: 9-11 81.8% FG: 19-41 46.3%	4 0:31		No. 4 Fleming-Moon TIME - O U T		
			4 0:31		Sub In: Sturgill, Melody Out: Amburgy, Angie		
6	13		Alternate Possession Turnover by Kincer, Beth	4 0:06		Steal by Boyle, Gwen	1 9
1	5		Foul on Kincer, Beth	4 0:04			

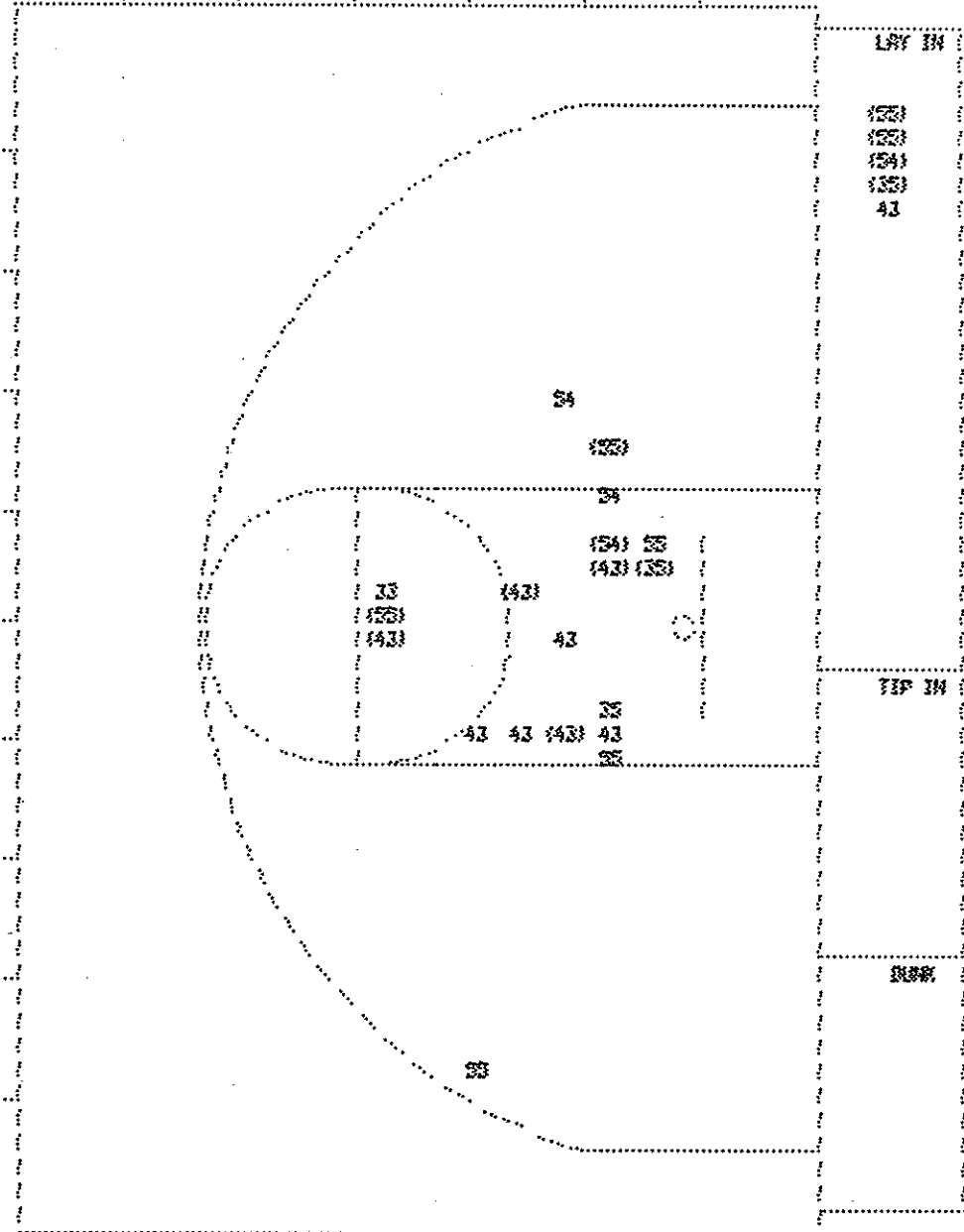
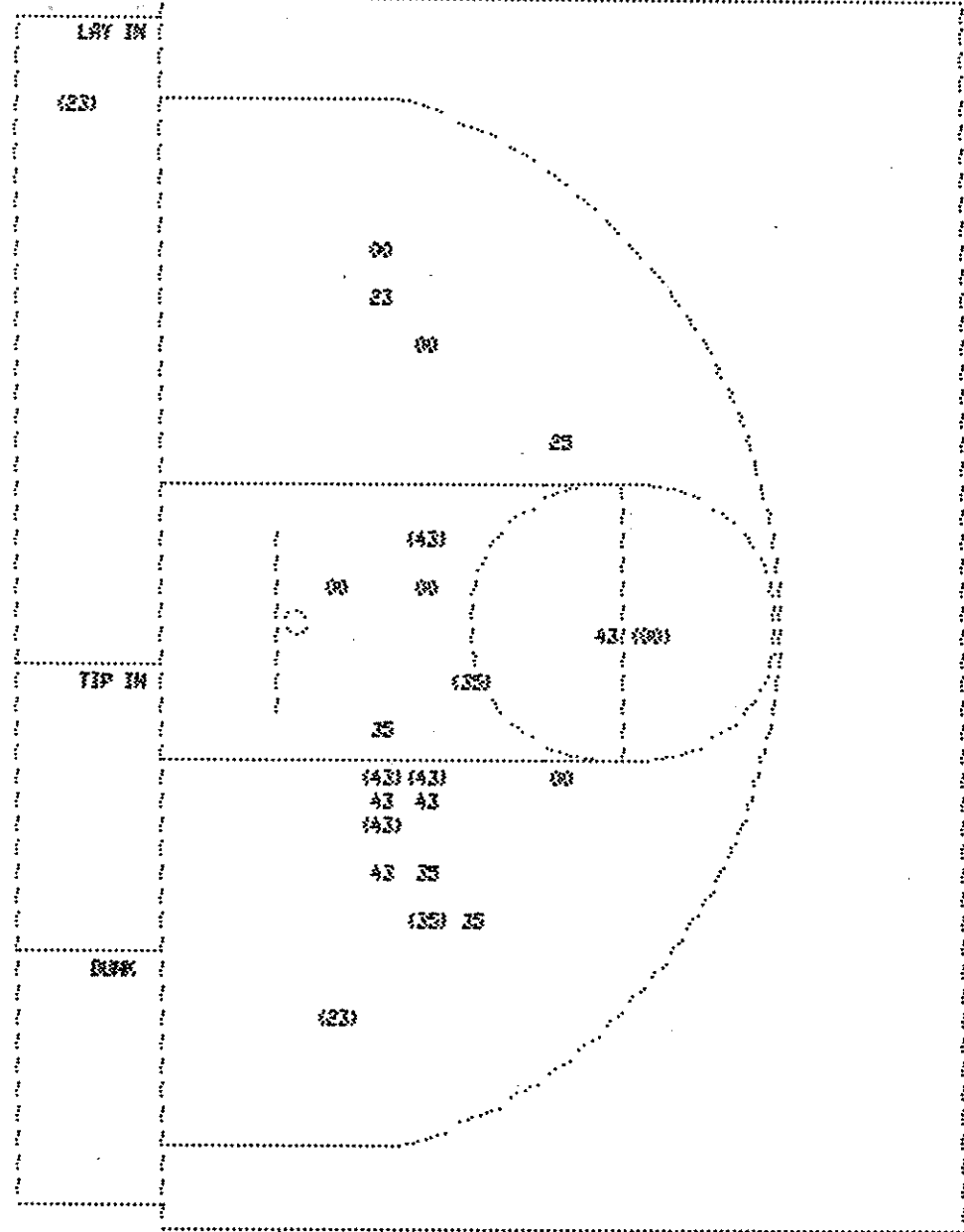
Player	Team	Fleming-Moon	Time	Score	DeFont Manual	Player	Team
5-2 Tot-5	0-2 Tot-23		4 0:04		Boyle, Gwen 1 & Bonus - missed 1st	0-4 00.0%	0-4 00.0%
			4 0:04				

DePort Manual "Lady Crimson" vs Flewing-Moon "Lady Pirates"
 2nd Half Play by Play

PAGE : 1

Tip off at 8:00 CST on 03/14/90 at Girl's Sweet Sixteen, R.S.
 Produced by the K.H.S.A.A. Stat Crew with FIMBL III - a Product of LEXICON SPORTS™

Player	Team	Flewing-Moon	Time	Score	DePort Manual	Player	Team
Sturgill, Melody, Vance, Jennifer, Jones, Mari, Watko, Heather, Kincer, Beth		Ball to Lady Pirates			Boyle, Gwen, Jackson, Erica, Williams, Sam, Smith, Tanaka, Ederheimer, S.		
2	1	Foul on Sturgill, Melody	3 7:51				
			3 7:50	24-26*	6 ft Lane Bank by Boyle, Gwen	7-13	53.0X 12-25 50.0X
					Assist by Jackson, Erica	1	7
1-2 30.0X 5-6 33.3X		Jones, Mari 2 Free Throws - made 1st missed 2nd	3 7:32		Foul on Smith, Tanaka	3	1
2-3 35.5X 11-13 37.5X		8 ft Left Side Turnaround by Jones, Mari	3 7:32	*25-26			
1	8	Assist by Vance, Jennifer	3 7:01	*27-28			
2	2	Foul on Jones, Mari	3 5:57				
			3 5:49	27-28*	12 ft Lane Jump shot by Boyle, Gwen	8-16	50.0X 14-31 42.1X
2	3	Foul on Kincer, Beth	3 5:18				
			3 5:11	27-30*	4 ft Lane Turnaround by Jackson, Erica	2-6	33.3X 15-32 46.8X
					Assist by Williams, Sam	5	8
			3 4:25	27-32*	Follow Layup by Williams, Sam	2-7	28.2X 16-34 47.0X
		REB: 14 A: 8 BLK: 0 TD: 11 PF: 3	3 4:23		REB: 16 A: 8 BLK: 1 TD: 7 PF: 1		
		S: 3 FT: 5-5 33.3X FG: 11-22 50.0X		No. 1 Flewing-Moon	TIME - OUT	S: 7 FT: 0-2 00.0X FG: 16-24 47.0X	
5-11 45.4X 12-23 52.1X		13 ft Left Side Jump shot by Vance, Jennifer	3 4:11	*29-32			
1	9	Assist by Jones, Mari	3 3:56	29-34*	12 ft Lane Jump shot by Williams, Sam	3-8	37.5X 17-35 48.9X
			3 3:19	29-36*	6 ft Lane Turnaround by Boyle, Gwen	3-17	32.9X 18-36 50.0X
					Assist by Williams, Sam	6	9
1-2 30.0X 13-25 52.0X		14 ft Lane Jump shot by Watko, Heather	3 3:13	*31-36			
4	10	Assist by Kincer, Beth	3 2:00	31-38*	8 ft Left Side Bank by Williams, Sam	4-9	44.4X 19-38 50.0X
3-3 30.0X 14-27 51.9X		8 ft Left Side Jump shot by Jones, Mari	3 1:23	*33-38			
5	11	Assist by Kincer, Beth	3 1:18	33-40*	4 ft Lane Driving by Boyle, Gwen	10-18	55.5X 20-39 51.2X
1	4	Foul on Vance, Jennifer	3 1:18				
			3 1:18		Boyle, Gwen 1 Free Throw - missed	0-2	00.0X 0-2 00.0X
			3 1:17		Foul on Williams, Sam	1	2
		REB: 15 A: 11 BLK: 0 TD: 11 PF: 4	3 1:17		REB: 13 A: 9 BLK: 1 TD: 7 PF: 2		
		S: 3 FT: 5-6 83.3X FG: 14-27 51.9X		TIME - OUT	DePort Manual No. 1	S: 7 FT: 0-3 00.0X FG: 20-39 51.2X	
		Sub In: Amburgy, Angie Out: Sturgill, Melody	3 0:55				
			3 0:46	33-42*	Layup Off Fast Break by Williams, Sam	3-10	30.0X 21-40 52.5X
		REB: 16 A: 11 BLK: 0 TD: 12 PF: 4	3 0:00		REB: 13 A: 9 BLK: 1 TD: 8 PF: 2		
		S: 3 FT: 5-6 83.3X FG: 14-29 48.2X		TIME - OUT	DePort Manual No. 2	S: 8 FT: 0-3 00.0X FG: 21-41 51.2X	
		REB: 16 A: 11 BLK: 0 TD: 12 PF: 4	3 0:00		REB: 13 A: 9 BLK: 1 TD: 8 PF: 2		
		S: 3 FT: 5-6 83.3X FG: 14-29 48.2X		MEDIA	TIME - OUT	S: 8 FT: 0-3 00.0X FG: 21-41 51.2X	
		REB: 16 A: 11 BLK: 0 TD: 12 PF: 4	3 0:00		REB: 13 A: 9 BLK: 1 TD: 8 PF: 2		
		S: 3 FT: 5-6 83.3X FG: 14-29 48.2X		No. 2 Flewing-Moon	TIME - OUT	S: 8 FT: 0-3 00.0X FG: 21-41 51.2X	



Player		Flwing-Heen				Player	
35	- Vance, Jan	2 / 5	40.0%				
42	- Jones, Mar	4 / 8	50.0%				
00	- Watho, Hea	1 / 6	16.5%				
23	- Kincer, Be	2 / 3	66.5%				
25	- Sturgill, W	0 / 1	0.0%				
Layups		1-3 Ft	10-15 Ft	Over 15 Ft	3 Pointers	Total	
1 / 1	5 / 10	2 / 10	1 / 2			9 / 23	
100.0%	50.0%	20.0%	50.0%			33.1%	

Player		Infent Manual				Player	
43	- Boyle, Gwe	4 / 9	44.4%				
24	- Jackson, E	2 / 4	50.0%				
22	- Williams, A	1 / 7	37.1%				
33	- Smith, Jan	0 / 1	0.0%				
25	- Ederheimer	2 / 3	66.5%				
Layups		1-3 Ft	10-15 Ft	Over 15 Ft	3 Pointers	Total	
4 / 5	8 / 14	2 / 4				8 / 1	12 / 24
80.0%	42.9%	50.0%				0.0%	50.0%

BOX SCORE: * OFFICIAL FIRST HALF * Date: 03-14-90 Site: Girls Sweet Sixteen; R.B. Attendance:
 Team: DuPont Manual

NO.	NAME	TOTAL FG		3-POINT		FT	FTA	REB					PF	TP	A	TO	BLK	S	TIME												
		FG	FGA	FG	FGA			O	D	T	TI																				
43	Boyle, Gwen	6	12	0	0	1	0	2	1	0	0	0	3	12	1	2	1	0	4	15:18											
54	Jackson, Erica	1	4	0	0	1	0	0	1	0	1	1	0	2	1	0	2	1	0	16:00											
55	Williams, Sam.	1	4	0	2	1	0	0	1	1	4	3	0	2	1	4	3	0	2	16:00											
33	Smith, Taneka	0	0	0	0	1	0	0	1	1	0	1	2	0	1	0	0	0	0	8:53											
35	Ederheimer, S.	4	4	0	0	1	0	0	1	1	1	2	0	3	1	0	0	0	0	16:00											
10	Baker, Marlyce	0	0	0	0	1	0	0	1	0	0	0	0	1	0	0	0	0	0	7:07											
30	Haller, Sandy	0	0	0	0	1	0	0	1	0	0	0	0	1	0	0	0	0	0	0:42											
TEAM		TOTALS		12 / 24		0 / 2		0		2		3		6		9		3		24		6		6		1		6		80	

Percentages: HALF----- FG 12/ 24 50.0% 3-PT. 0/ 2 0.0% FT 0/ 2 0.0%
 Period 1 6/ 13 46.2% 0/ 1 0.0% 0/ 2 0.0%
 Period 2 6/ 11 54.5% 0/ 1 0.0% 0/ 0 0.0%

Team: Fleming-Neon

NO.	NAME	TOTAL FG		3-POINT		FT	FTA	REB					PF	TP	A	TO	BLK	S	TIME												
		FG	FGA	FG	FGA			O	D	T	TI																				
33	Amburgy, Angie	1	4	0	0	1	0	0	1	2	0	2	0	2	1	0	1	0	0	0	3:47										
35	Vance, Jennifer	4	8	0	0	1	0	0	1	0	2	2	0	3	1	0	1	0	2	16:00											
43	Jones, Mari	1	2	0	0	1	0	0	1	0	3	3	1	2	1	0	0	0	0	16:00											
00	Watko, Heather	0	0	0	0	1	0	0	1	0	1	1	0	0	1	3	2	0	0	16:00											
23	Kincer, Beth	3	3	0	0	1	2	2	1	0	2	2	1	3	1	3	4	0	0	16:00											
25	Sturgill, Melody	1	1	0	0	1	2	2	1	0	1	1	1	4	1	1	2	0	0	10:13											
TEAM		TOTALS		10 / 18		0 / 0		4		4		2		10		12		3		24		7		10		0		2		80	

Percentages: HALF----- FG 10/ 18 55.6% 3-PT. 0/ 0 0.0% FT 4/ 4 100.0%
 Period 1 5/ 10 50.0% 0/ 0 0.0% 0/ 0 0.0%
 Period 2 5/ 8 62.5% 0/ 0 0.0% 4/ 4 100.0%

OFFICIALS: Jackie Cupp, Kenneth Wilson, Alt. -P. Tucker

SCORE BY PERIODS

Technical: None

DuPont Manual	12	12	=	24
Fleming-Neon	10	14	=	24

DePort Manual "Lady Crimson" vs Fleming-Neon "Lady Pirates"
1st Half Play by Play

Tip off at 8:00 CST on 03/14/90 at Girls Sweet Sixteen; R.G.
Produced by the K.H.S.A.A. Stat Crew with FINN III - a Product of LEXICON SPORTS™

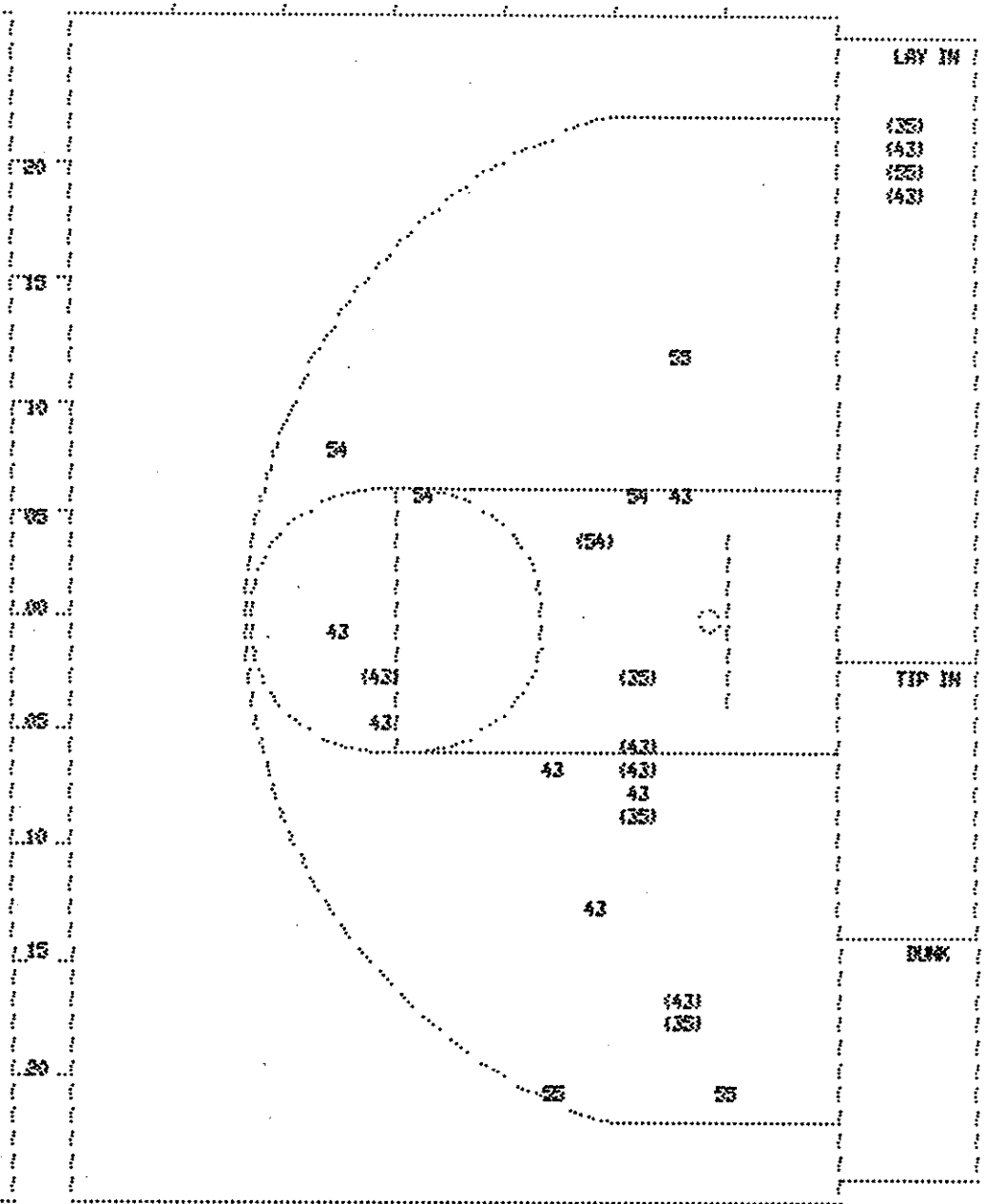
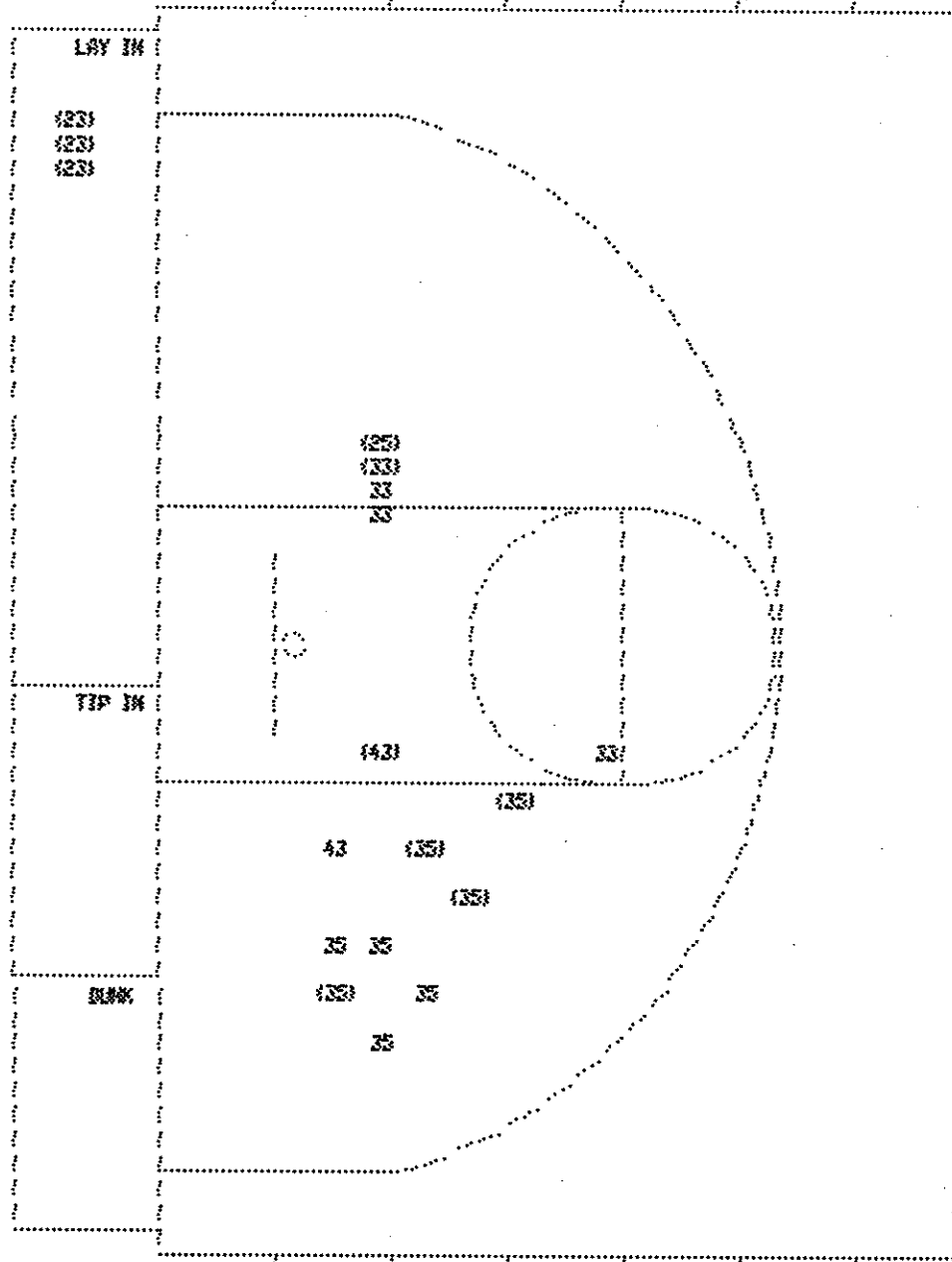
PAGE : 2

Player	Team	Fleming-Neon
Watho, Heather	Kincer, Beth	Vance, Jennifer, Jones, Mari, Sturgill, Melody Ball to Lady Pirates
1-1 1	100% 6-11 3	54.2% Driving Layup by Kincer, Beth Assist by Sturgill, Melody
2-2 1	100% 2-2 2	100% Kincer, Beth 2 Free Throws - made both Foul on Kincer, Beth
2-2 2	100% 7-12 4	58.3% Driving Layup by Kincer, Beth Assist by Watho, Heather
1	3	Foul on Sturgill, Melody
REB: 10 A: 4 BLK: 0 TO: 9 PF: 3 S: 2 FT: 2-2 100% FG: 7-15 46.6% No. 1 Fleming-Neon		
2-3 3	100% 8-15 5	50.0% Driving Layup by Kincer, Beth Assist by Watho, Heather
4-8 2	50.0% 3-17 5	52.3% 14 ft Left Base Line Jump shot by Vance, Jennifer Assist by Kincer, Beth
2-2 1-2 3	100% 4-4 50.0% 10-18 7	100% Sturgill, Melody 1 & Bonus - made both 50.0% 4 ft Lane Jump shot by Jones, Mari Assist by Kincer, Beth

Time	Score	DePort Manual	Player	Team
2 7:33	*12-12		Doyle, Gwen, Jackson, Erica, Williams, Sam, Smith, Taneka, Ederheimer, S.	
2 7:07		Foul on Smith, Taneka	2	2
2 7:07		Sub In: Baker, Marijce Out: Smith, Taneka		
2 7:07	*14-12			
2 6:29				
2 6:26	14-14*	3 ft Lane Bank by Ederheimer, S.	4-4	100% 7-16 43.7%
2 5:58	*15-14			
2 5:40	15-16*	5 ft Lane Turnaround by Jackson, Erica Assist by Doyle, Gwen	1-2	50.0% 8-17 47.0%
2 4:46	16-18*	6 ft Lane Turnaround by Doyle, Gwen Assist by Williams, Sam.	2	5
2 4:46			4-10	40.0% 3-19 47.3%
2 3:50			4	5
2 3:28	16-20*	14 ft Lane Jump shot by Doyle, Gwen	3-11	45.4% 10-20 50.0%
2 3:05	16-22*	Layup Off Fast Break by Williams, Sam.	1-4	25.0% 11-21 52.3%
2 3:05				
REB: 9 A: 6 BLK: 1 TO: 5 PF: 2 S: 2 FT: 0-2 00.0% FG: 11-21 52.3% TIME - O U T				
2 2:50	16-24*	Layup Off Fast Break by Doyle, Gwen	6-12	50.0% 12-22 54.5%
2 2:35		Foul on Doyle, Gwen	1	3
2 2:34	*18-24			
2 1:42	*20-24			
2 0:52		Foul on Doyle, Gwen	2	4
2 0:42		Foul on Doyle, Gwen	2	5
2 0:42		Sub In: Haller, Sandy Out: Doyle, Gwen		
2 0:42	*22-24			
2 0:04	*24-24			

Player	Team	Fleming-Neon
Amburgy, Angie, Vance, Jennifer, Jones, Mari, Watkins, Heather, Kincer, Beth Ball to Lady Pirates		
1-1	100%	1-2 50.0% 8 ft Right Side Follow by Amburgy, Angie
1-2	50.0%	2-3 40.0% 10 ft Left Angle Jump shot by Vance, Jennifer Assist by Watkins, Heather
1	1	Foul on Jones, Mari
2-3	66.6%	3-5 50.0% 12 ft Left Side Jump shot by Vance, Jennifer Assist by Kincer, Beth
Sub In: Sturgill, Melody Out: Amburgy, Angie		
1-1	100%	4-9 44.4% 8 ft Right Side Jump shot by Sturgill, Melody
3-4	75.0%	5-10 50.0% 9 ft Left Side Jump shot by Vance, Jennifer

Time	Score	DePont Manual	Player	Team
Doyle, Gwen, Jackson, Erica, Williams, Sam, Smith, Tanaka, Ederheimer, S.				
1 7:34	42-0			
1 6:51	2-2*	16 ft Right Side Line Jump shot by Doyle, Gwen Assist by Williams, Sam.	1-2	50.0% 1-2 50.0% 1 1
1 5:36	4-2			
1 5:22	4-4*	16 ft Right Side Line Jump shot by Ederheimer, S. Assist by Williams, Sam.	1-1	100% 2-4 50.0% 2 2
1 4:43		Boyle, Gwen 2 Free Throws - missed both	0-2	00.0% 0-2 00.0%
1 4:01	4-6*	8 ft Right Side Jump shot by Ederheimer, S.	2-2	100% 3-5 60.0%
1 3:33	45-6			
1 3:25	6-8*	6 ft Lane Driving by Boyle, Gwen	2-4	20.0% 4-6 66.6%
1 2:43		Foul on Smith, Tanaka	1	1
1 2:25	6-10*	Layup Off Fast Break by Ederheimer, S. Assist by Boyle, Gwen	3-3	100% 5-8 62.5%
1 2:13			1	3
1 1:16	48-10			
1 0:26	48-10			
1 0:02	48-12*	Driving Layup by Boyle, Gwen Assist by Williams, Sam.	3-7	42.9% 6-13 46.1%
			3	4



Player	Player	Player	Player	Player	Player
23 - Ambury, A	1 / 4	25.0%			
25 - Vance, Jen	4 / 8	50.0%			
43 - Jones, Mar	1 / 2	50.0%			
23 - Kincer, Be	3 / 3	100.0%			
25 - Sturgill, M	1 / 1	100.0%			
Layups	1-3 Ft	10-15 Ft	Over 15 Ft	3 Pointers	Total
3 / 3	4 / 7	3 / 7	0 / 1		10 / 18
100.0%	57.1%	42.9%	0.0%		25.6%

Player	Player	Player	Player	Player	Player
43 - Boyle, Gw	6 / 12	50.0%			
54 - Jackson, E	1 / 4	25.0%			
25 - Williams, I	1 / 4	25.0%			
33 - Ederheimer	4 / 4	100.0%			
Layups	1-3 Ft	10-15 Ft	Over 15 Ft	3 Pointers	Total
4 / 4	5 / 9	1 / 5	2 / 4	0 / 2	12 / 24
100.0%	55.6%	20.0%	50.0%	0.0%	50.0%